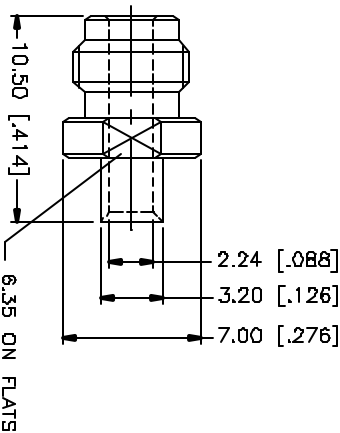
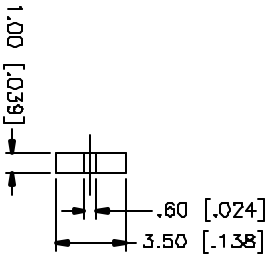
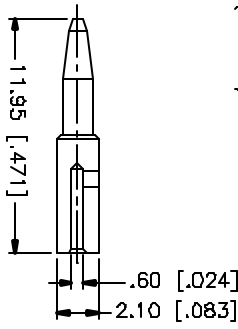
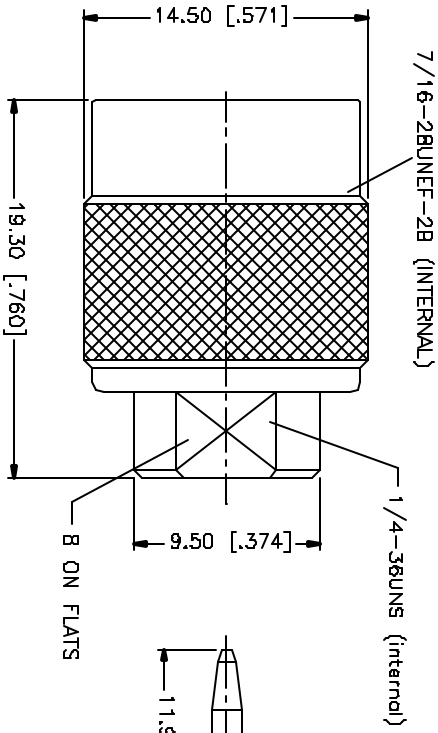
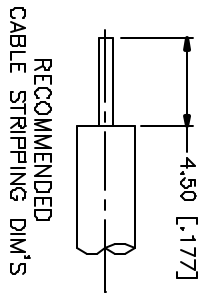


REV.	DATE	DESCRIPTION
A	05.01.04	UPDATE DRAWING FORMAT



NOTE:
1. CRIMPED CONTACT PIN
HEX CRIMP SIZE .068"

QTY	FINISH	MATERIAL	DESCRIPTION
1	NATURAL	BRASS	SOLDER NUT
1	GOLD	TEFLON	INSULATOR
1	GOLD	BRASS	CONTACT PIN
1	NATURAL	TEFLON	INSULATOR
1	GOLD	BRASS	BODY

DATE	APPROVALS
05/01/04	G.R.S.

DATE	DESCRIPTION
199903	DESIGNED
SHEET 1 OF 1	CHECKED

DATE	DESCRIPTION
05/01/04	DESIGNED
122387	CHECKED
122387	APPROVED

DATE	DESCRIPTION
05/01/04	DESIGNED
122387	CHECKED
122387	APPROVED

DATE	DESCRIPTION
05/01/04	DESIGNED
122387	CHECKED
122387	APPROVED

DATE	DESCRIPTION
05/01/04	DESIGNED
122387	CHECKED
122387	APPROVED

DATE	DESCRIPTION
05/01/04	DESIGNED
122387	CHECKED
122387	APPROVED

DATE	DESCRIPTION
05/01/04	DESIGNED
122387	CHECKED
122387	APPROVED

DATE	DESCRIPTION
05/01/04	DESIGNED
122387	CHECKED
122387	APPROVED

DATE	DESCRIPTION
05/01/04	DESIGNED
122387	CHECKED
122387	APPROVED

DATE	DESCRIPTION
05/01/04	DESIGNED
122387	CHECKED
122387	APPROVED

DATE	DESCRIPTION
05/01/04	DESIGNED
122387	CHECKED
122387	APPROVED

Amphenol Connex

TNC DIRECT SOLDER PLUG

122387

122387.DWG